

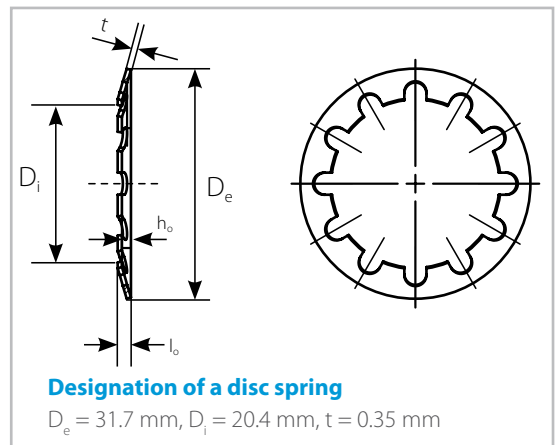
Original SCHNORR® bearing preload springs type "K", with slots

How to order

When ordering these sizes to preload the outer ring of the bearing, please quote the bearing size and the suffix "slotted" or the article number. In all other cases, please give application details.

Slotted version

This special design generates very small loads and accommodates large deflections.



Original SCHNORR® bearing preload springs type "K", slotted

dia. 9.8 - 94.50 mm

Article number/ Order reference	Ordering dimensions						Spring travel s and force F		Weight per 1000 pieces [kg]	Ball bearing type		Ball bearing	
	D_e [mm]	D_i [mm]	t [mm]	l_o [mm]	h_o [mm]	h_o/t	at $s \approx 0.75 h_o$ s [mm]	F [N]		External dia [mm]	Internal dia [mm]		
241 150	9.80	6.20	0.15	0.60	0.45	1.00	0.35	13	0.050	623(EL3)	10	3	
241 350	12.80	7.20	0.20	0.65	0.45	0.92	0.35	18	0.130	624(EL4)	13	4	
241 650	15.80	8.20	0.25	0.75	0.50	0.74	0.40	20	0.280	625(EL5) 634(R4)	16	5 4	
241 675	18.80	9.20	0.25	1.00	0.75	0.97	0.55	20	0.440	626(EL6) 635(R5)	16	6 5	
241 750	18.80	10.20	0.25	1.05	0.80	1.15	0.60	24	0.320	607(EL7)	19	7	
241 850	21.80	12.30	0.25	1.25	1.00	1.47	0.75	24	0.420	608(EL8) 627(R7)	22	8 7	
242 050	23.70	14.30	0.30	1.30	1.00	1.21	0.75	25	0.660	609(EL9)	24	9	
242 150	25.70	14.30	0.30	1.40	1.10	1.19	0.80	28	0.700	6000 629(R9)	26	10 9	
242 250	27.70	17.30	0.35	1.45	1.10	1.03	0.80	31	0.984	6001	28	12	
242 450	29.70	17.30	0.35	1.55	1.20	1.30	0.90	32	1.200	6200	30	10	
242 550	31.70	20.40	0.35	1.55	1.20	1.30	0.90	33	1.270	6002 6201	32	15 12	
242 750	34.60	20.40	0.40	1.65	1.25	1.10	1.00	32	1.650	6300	35	10	
242 850	34.60	22.40	0.35	1.55	1.20	1.18	0.90	32	1.500	6003 6202	35	17 15	
242 950	36.60	20.40	0.40	1.90	1.50	1.44	1.10	35	2.280	6301	37	12	
243 050	39.60	25.50	0.40	1.90	1.50	1.22	1.10	37	1.920	6203	40	17	
243 150	41.60	25.50	0.45	2.05	1.60	1.13	1.20	39	2.500	6004 6302	42	20 15	
243 250	46.50	30.50	0.45	2.05	1.60	1.11	1.20	44	2.840	6005 6204 6303	47	25 20 17	
243 350	51.50	35.50	0.45	2.10	1.65	1.26	1.25	47	3.070	6205 6304	52	25 20	
243 450	54.50	40.50	0.45	2.15	1.70	1.75	1.30	53	3.200	6006	55	30	
243 550	61.50	40.50	0.55	2.55	2.00	1.21	1.50	54	6.050	6007 6206 6305	62	35 30 25	
243 650	67.50	50.50	0.55	2.60	2.05	1.36	1.60	78	5.500	6008	68	40	
243 750	71.50	45.50	0.60	2.90	2.30	1.47	1.70	74	9.600	6306	72	30	
243 850	71.50	50.50	0.60	2.90	2.30	1.83	1.70	127	8.200	6207	72	35	
243 950	74.50	55.50	0.60	2.90	2.30	1.31	1.70	91	7.580	6009	75	45	
244 125	79.50	50.50	0.70	3.10	2.40	1.36	1.80	83	16.260	6307	80	35	
244 150	79.50	55.50	0.70	2.90	2.20	1.51	1.65	127	14.500	6010 6208	80	50 40	
244 250	84.50	60.50	0.75	3.15	2.40	0.87	1.80	78	13.000	6209	85	45	
244 350	89.50	60.50	0.80	3.30	2.50	1.08	1.90	104	18.100	6308	90	40	
244 450	89.50	65.50	0.80	3.40	2.60	1.35	1.95	189	16.000	6011 6210	90	55 50	
244 550	94.50	75.50	0.80	3.45	2.65	1.39	2.00	206	13.300	6012	95	60	