



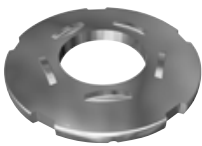
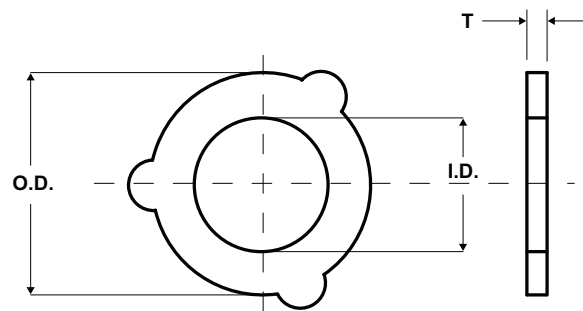
# Dimensions

Structural Washers  
Squirter™ DTI (Direct Tension Indicator) Washers



## STRUCTURAL WASHERS 35-45HRC AS1252 / HOT DIP GALVANISED / PLAIN FINISH

Part	Size	OD (mm)	ID (mm)	THK (mm)	Pack	Pack Wgt (Kg)
WRST?M12	M12	25.7	14.0	3.1	1000	10.06
WRST?M16	M16	32.4	18.0	3.1	800	12.27
WRST?M20	M20	37.4	22.0	3.1	500	10.47
WRST?M22	M22	42.4	24.0	3.4	350	8.06
WRST?M24	M24	48.4	26.0	3.4	350	15.75
WRSTGM27	M27	54.1	30.0	3.4	420	19.86
WRST?M30	M30	58.1	33.0	3.4	250	13.36
WRST?M36	M36	70.1	39.0	3.4	200	22.00



## SQUIRTER™ DTI (DIRECT TENSION INDICATOR) WASHERS ASTM F959M / MECHANICALLY GALVANISED

Part	Size	No. of Bumps	OD (mm)	ID (mm)	THK (mm)	Pack	Pack Wgt (Kg)
WDSTGM16	M16	4	36.0	17.0	3.4	500	7.85
WDSTGM20	M20	5	46.0	21.0	3.8	250	8.35
WDSTGM24	M24	5	55.0	25.0	4.4	200	11.28
WDSTGM30	M30	7	68.0	32.0	4.4	125	6.89
WDSTGM36	M36	8	81.0	38.0	5.0	50	4.43

