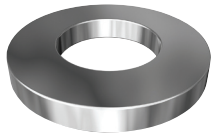




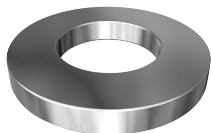
# Dimensions

High Tensile Sampson™ Washers



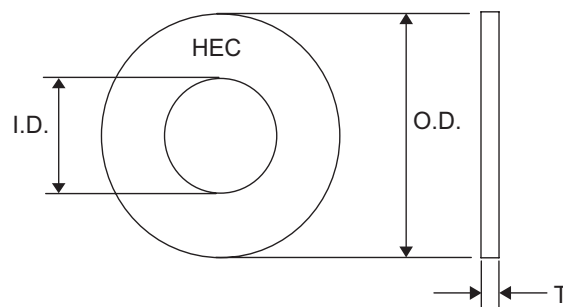
## METRIC SAMPSON® WASHERS 38-45HRC HOBSON SPEC / PLAIN FINISH

Part	Size	OD (mm)	ID (mm)	THK (mm)	Pack	Pack Wgt (Kg)
WR43PM08	M8	18.0	8.5	2.3	200	0.64
WR43PM10	M10	22.0	10.5	3.0	100	0.69
WR43PM12	M12	26.0	13.0	3.2	100	0.90
WR43PM16	M16	32.0	17.0	4.5	100	1.83
WR43PM20	M20	40.0	21.0	4.5	100	2.89
WR43PM22	M22	44.0	23.0	6.0	100	4.68
WR43PM24	M24	48.0	25.0	6.0	100	5.59
WR43PM27	M27	56.0	28.0	8.0	100	10.44
WR43PM30	M30	60.0	32.0	8.0	100	11.43
WR43PM36	M36	72.0	37.5	8.0	25	4.19
WR43PM42	M42	85.0	43.5	8.0	25	5.92
WR43PM48	M48	98.0	49.5	8.0	25	7.94
WR43PM52	M52	100.0	53.2	10.0	20	7.95
WR43PM56	M56	105.0	62.0	10.0	10	3.98
WR43PM64	M64	115.0	70.0	10.0	5	2.31



## METRIC SAMPSON® WASHERS 38-45HRC ASTM F436M TYPE 1 / ZINC PLATED

Part	Size	OD (mm)	ID (mm)	THK (mm)	Pack	Pack Wgt (Kg)
WR43ZM06	M6	13.0	6.7	1.5	200	0.34
WR43ZM08	M8	18.0	8.9	2.0	200	0.92
WR43ZM10	M10	20.0	10.8	2.0	200	0.95
WR43ZM12	M12	26.0	14.0	4.0	200	3.52
WR43ZM14	M14	30.0	16.0	4.0	100	2.13
WR43ZM16	M16	33.0	18.0	4.0	100	2.73
WR43ZM20	M20	41.0	22.0	4.0	50	2.08
WR43ZM24	M24	50.0	26.0	4.0	50	2.96
WR43ZM30	M30	60.0	33.0	4.0	10	0.82
WR43ZM36	M36	72.0	39.0	4.0	10	1.19



# Dimensions

High Tensile Sampson™ Washers



## ASTM F436 SAMPSON® WASHERS 38-45HRC ASTM F436 / ZINC YELLOW PASSIVATE

Part	Size	OD (mm)	ID (mm)	THK (mm)	Pack	Pack Wgt (Kg)
WR43Y025	1/4"	15.88	7.14	1.7	200	0.37
WR43Y031	5/16"	17.48	8.74	1.7	200	0.42
WR43Y037	3/8"	20.65	10.31	1.7	200	0.59
WR43Y043	7/16"	23.42	11.91	1.7	200	0.75
WR43Y050	1/2"	27.00	13.49	3.5	200	2.11
WR43Y056	9/16"	29.50	15.83	3.5	100	1.33
WR43Y062	5/8"	33.35	17.48	3.8	100	1.70
WR43Y075	3/4"	37.31	20.65	4.0	50	1.02
WR43Y087	7/8"	44.45	23.83	4.0	50	1.56
WR43Y100	1"	50.80	28.57	4.0	50	1.95
WR43Y112	1 1/8"	57.15	31.75	4.0	20	1.00
WR43Y125	1 1/4"	63.50	34.92	4.0	10	0.62
WR43Y137	1 3/8"	69.85	38.10	4.0	10	0.76
WR43Y150	1 1/2"	76.20	41.27	5.8	10	0.92
WR43Y175	1 3/4"	85.72	47.62	5.8	10	1.64
WR43Y200	2"	95.25	53.98	7.4	10	1.99
WR43Y225	2 1/4"	101.60	60.33	7.4	10	2.73
WR43Y250	2 1/2"	114.30	66.67	7.4	10	3.52
WR43Y300	3"	139.70	79.38	7.4	10	5.40

