



Product Data Sheet

Hex Head Flanged Self Drilling Screw

ZYP / AS3566
Finish: Zinc Yellow Passivate.
Application: Fixing metal to metal.

DRILLX[®]

Part	QFind	Gauge	TPI	Length	Pack Qty	Pack Weight
			(mm)	(mm)		(kg)
T9PMYFH1214035	Q511	12	14	35	1000	6.62

Material	Drilling Capacity
Steel Purlin	1.2 mm ~ 5.0 mm

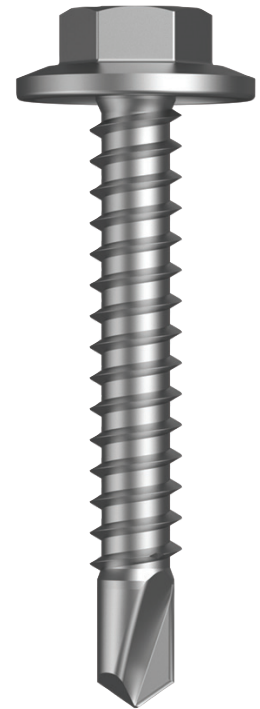
Mechanical Properties	Characteristic*
Tensile Strength (N)	13,360
Shear Strength (N)	7,340
Torsional Strength (Nm)	13.2

Ultimate Pullout Strength (N)		
Base Plate	Mean [^]	Characteristic*
1.20 mm G450 Steel	2,590	2,160
1.50 mm G450 Steel	3,740	3,270
1.90 mm G450 Steel	4,910	4,310
2.40 mm G450 Steel	7,180	6,580

All values are obtained under laboratory conditions using DRILLX[®] product. Safety factors should be considered for design purposes.

* Characteristic Strength – is the 5% fractile strength which has a 95% probability of being exceeded at a confidence level of 90%.

[^] Mean Ultimate Strength – is the average ultimate strength of samples tested.



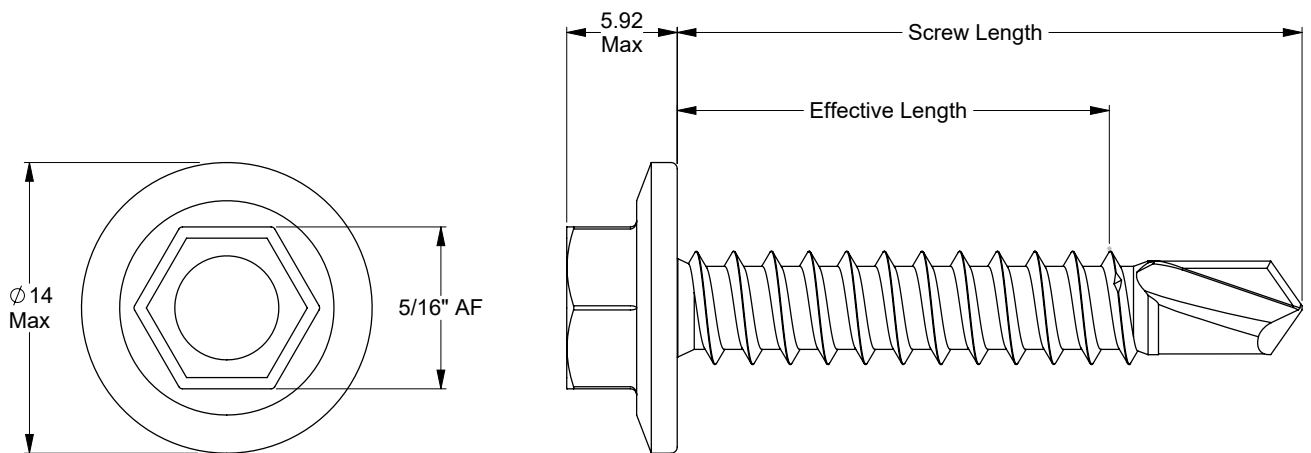


Product Data Sheet

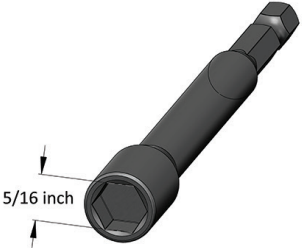
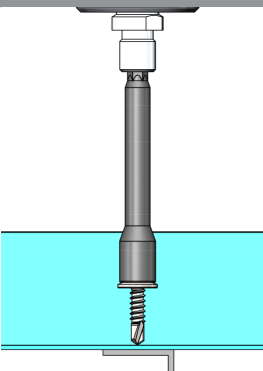
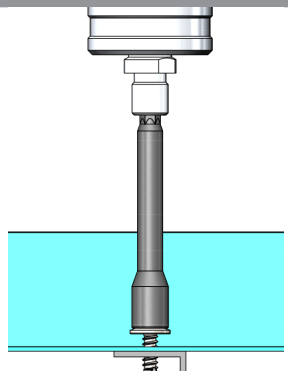
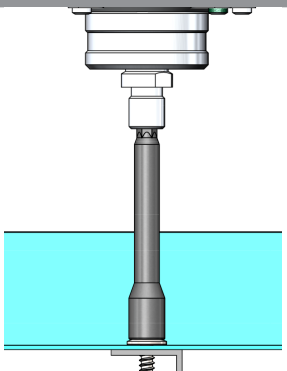
Hex Head Flanged Self Drilling Screw



Part	Length (mm)	Grip Length (mm)	Effective Length (mm)
T9PMYFH1214035	34.4-36.4	-	27.6 Max



Installation Instructions

 <p>5/16 inch</p>			
<p>1. Use a 5/16" Hobson Hex Nut Setter: TXDSIS0310045 – 45mm TXDSIS0310065 – 65mm TXDSIS0310100 – 100mm TXDSIS0310150 – 150mm TXDSIS0310200 – 200mm TXDSIS0310300 – 300mm</p>	<p>2. Use a cordless screw driver set between 2,200-3,000 RPM. Fit the Hex Nut Setter over the screw and place at the fastening position.</p>	<p>3. Apply consistently firm pressure to the screw driver while the screw is drilling.</p>	<p>4. Care should be taken not to overtighten the screw.</p>